

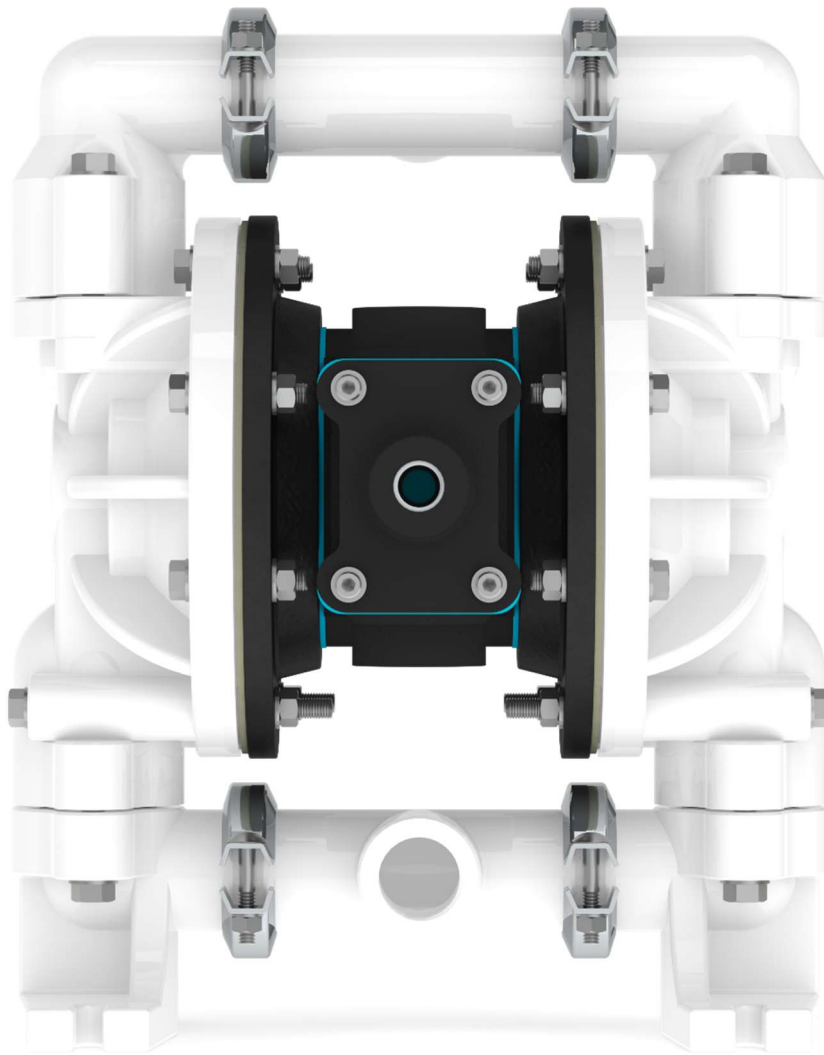


**AIR OPERATED  
DOUBLE  
DIAPHRAGM  
PUMPS**



ISO 9001: 2008  
ISO 14001: 2004

[pricepumps.co.in](http://pricepumps.co.in)



**1" PVDF PUMP  
AOD 300 NSV KKG/TEF/TF/P/V**

[pricepumps.co.in](http://pricepumps.co.in)



# AIR OPERATED DOUBLE DIAPHRAGM PUMPS



ISO 9001: 2008  
ISO 14001: 2004

[pricepumps.co.in](http://pricepumps.co.in)

## SECTION 1- LEGEND

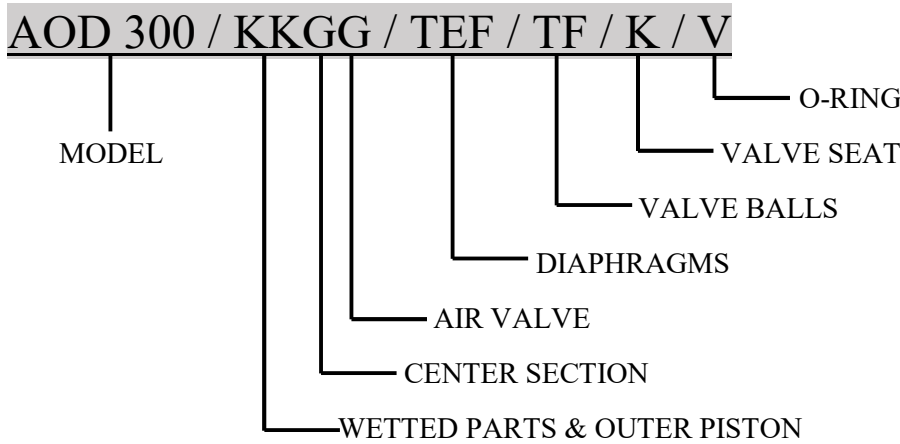
1" PVDF PUMP

AOD 300/KKGG/TEF/TF/P/V

### MODEL: AOD 300 NSV POLYVINYLDINEFLOURIDE

25mm (1") Pump

Maximum Flow Rate: 135 Lpm (36 gpm)



### MATERIAL CODES

MODEL  
AOD 300 = 1" PUMP

AIR VALVE  
G = GLASS FILLED  
POLYPROPYLENE

VALVE BALL  
TF = TEFLON

WETTED PARTS & OUTER PISTON  
KK = PVDF / PVDF

DIAPHRAGMS  
TEF = TEFLON

VALVE SEAT  
K = PVDF

CENTER SECTION  
G = GLASS FILLED  
POLYPROPYLENE

VALVE SEAT O-RING  
V = VITON



# AIR OPERATED DOUBLE DIAPHRAGM PUMPS



ISO 9001: 2008  
ISO 14001: 2004

[pricepumps.co.in](http://pricepumps.co.in)

## SECTION 2 – SPARE PART LIST

1” PVDF PUMP

AOD 300/KKGG/TEF/TF/P/V

SR No.	DISCRIPTION	PART No	QTY
1	LIQUID CHAMBER	30-1002-21	2
2	SUCTION BEND	30-2146-21	2
3	DISCHARGE BEND	30-2157-21	2
4	SUCTION DISCHARGE	30-1205-21	2
5	TEE O RING	30-3146-53	4
6	MANIFOLD O RING	30-3101-53	4
7	SEAT O RING	15-3121-53	4
8	NRV BALL	30-1041-55	4
9	BALL SEAT	30-1065-21	4
10	BALL CAGE	30-1096-21	4
11	TEE CLAMP	30-1211-03	8
12	HOLDING PLATE	30-1111-03	2
13	LOCK NUT	30-1131-21	2
14	DIAPHRAGM	30-2001-55	2
15	BACK UP DIAPHRAGM	30-2101-58	2
16	CENTER BLOCK	30-1306-23	1
17	CENTER BLOCK O RING	30-3155-56	4
18	MAIN SHAFT	30-1342-03	1
19	AIR COVER	30-1401-01	2
20	AIR COVER GASKET	40-3311-60	2
21	CENTER BLOCK PIPE	40-1316-03	4
22	PILOT SHAFT	30-1455-03	1
23	PILOT DRILL BUSH	40-1493-07	5
24	PILOT SHAFT O RING	40-3176-56	6
25	PILOT PLANE BUSH	30-1491-07	2



# AIR OPERATED DOUBLE DIAPHRAGM PUMPS



ISO 9001: 2008  
ISO 14001: 2004

[pricepumps.co.in](http://pricepumps.co.in)

## SECTION 2 – SPARE PART LIST (CONTINUED...)

1" PVDF PUMP

AOD 300/KKGG/TEF/TF/P/V

SR No.	DISCRIPTION	PART No	QTY
26	PISTON BLOCK	30-1506-23	1
27	PISTON BLOCK BUSH	40-1541-07	1
28	PISTON BLOCK CAP/ PISTON BLOCK BUSH O RING	40-3270-51	8
29	PISTON	40-1525-01	1
30	PISTON O RING	40-3205-51	3
31	PISTON RING	40-3261-64	3
32	PISTON BLOCK CAP	40-1575-63	2
33	PISTON BLOCK CAP CIRCLIP	40-1581-61	2
34	PISTON BLOCK COVER	40-1564-23	1
35	PISTON BLOCK GASKET	40-3324-60	1
36	PISTON BLOCK COVER GASKET	40-3334-60	1
37	EXHAUST	15-1366-23	1
38	AIR NIPPLE	15-1371-07	1
39	HOSE NIPPLE	30-1381-20	2
40	5/16" X 112 MM HEX BOLTS MS (CHAMBER BOLTS BIG)	04-6031-03	4
41	5/16" X 1 3/4" HEX BOLTS SS (CHAMBER BOLTS)	04-6030-03	12
42	3/8" X 1 1/2" HEX BOLTS SS (SUCTION)	04-6017-03	4
43	3/8" X 60 MM HEX BOLTS SS (DISCHARGE)	04-6022-03	4
44	5/16" X 1" CSK BOLTS SS (AIR COVER)	04-6027-03	10
45	5/16 X 20 X 2 MM SS WASHER	04-6216-03	32
46	3/8 X 25 X 3 MM MS WASHER (SUC/DIS)	04-6212-61	8
47	1/4" X 3 1/2" ALLEN BOLTS MS (PISTON BLOCK)	04-6004-61	4
48	1/4 X 12.5 X 1.2 MM SS WASHER (PISTON BLOCK ALLEN BOLT)	04-6202-03	12
49	5/16 MS HEX NUT	04-6305-61	16
50	1/4" X 42 MM CARRIAGE BOLTS SS (TEE CLAMP)	04-6006-03	8
51	1/4 MS HEX NUT	04-6302-61	8



# AIR OPERATED DOUBLE DIAPHRAGM PUMPS



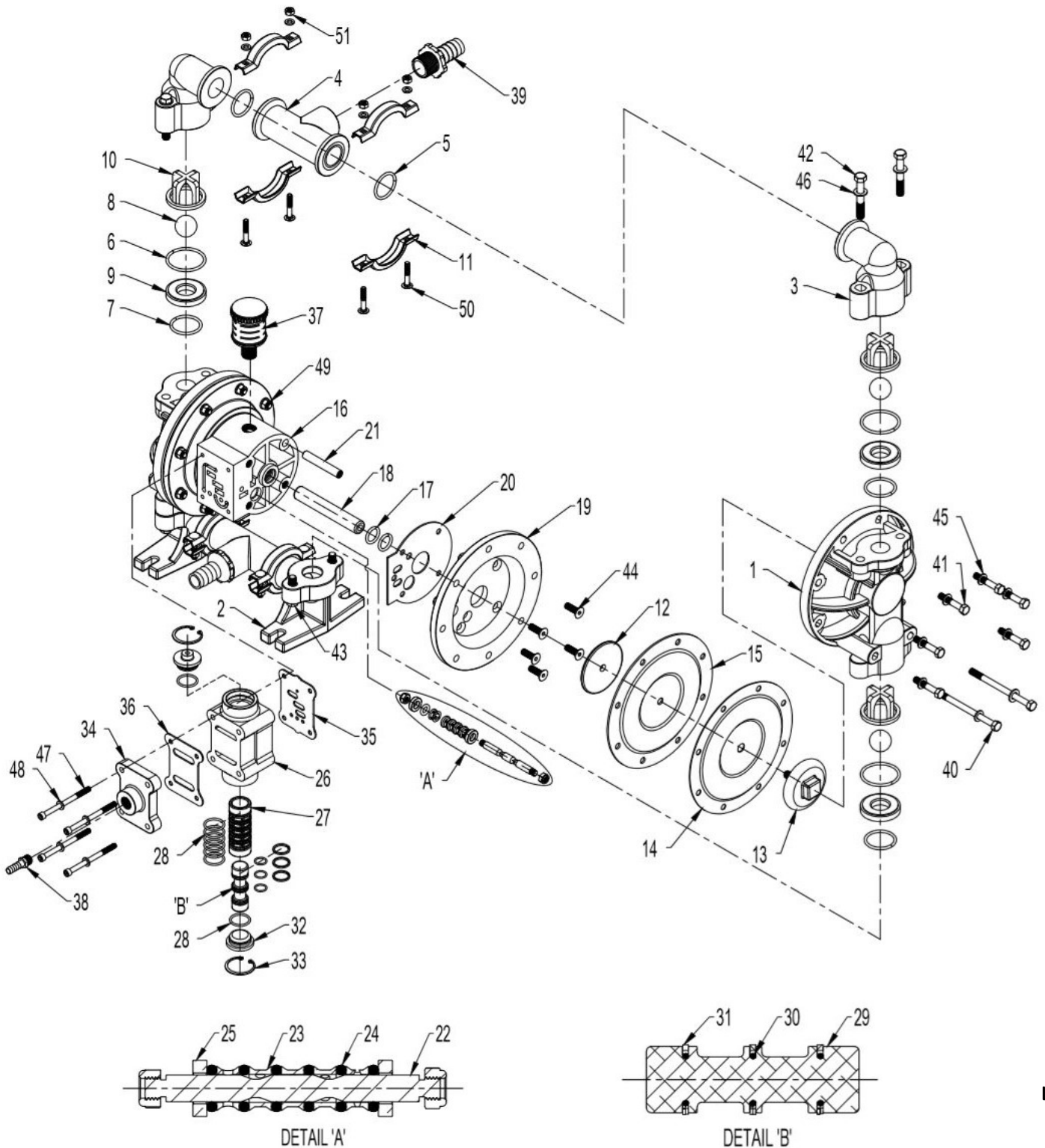
ISO 9001: 2008  
ISO 14001: 2004

pricepumps.co.in

## SECTION 3 – EXPLODED VIEW

1" PVDF PUMP

AOD 300/KKGG/TEF/TF/P/V





# AIR OPERATED DOUBLE DIAPHRAGM PUMPS



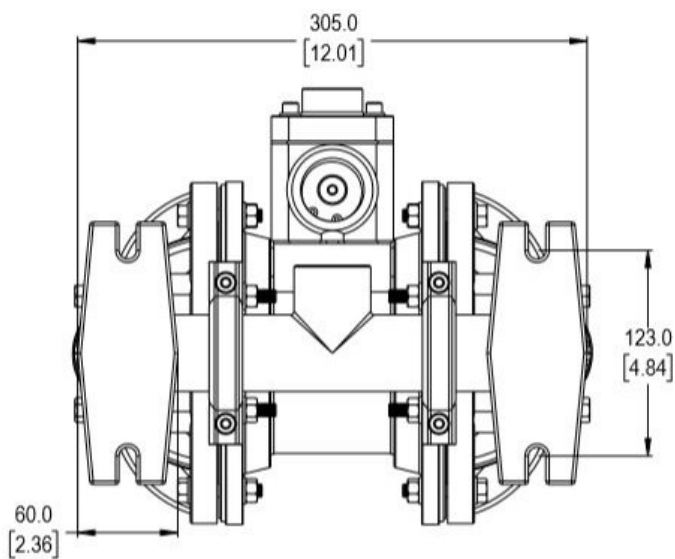
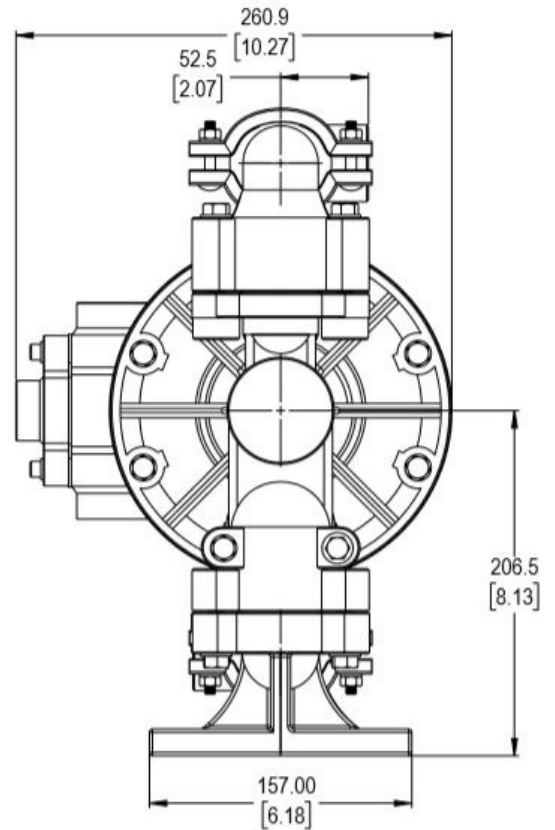
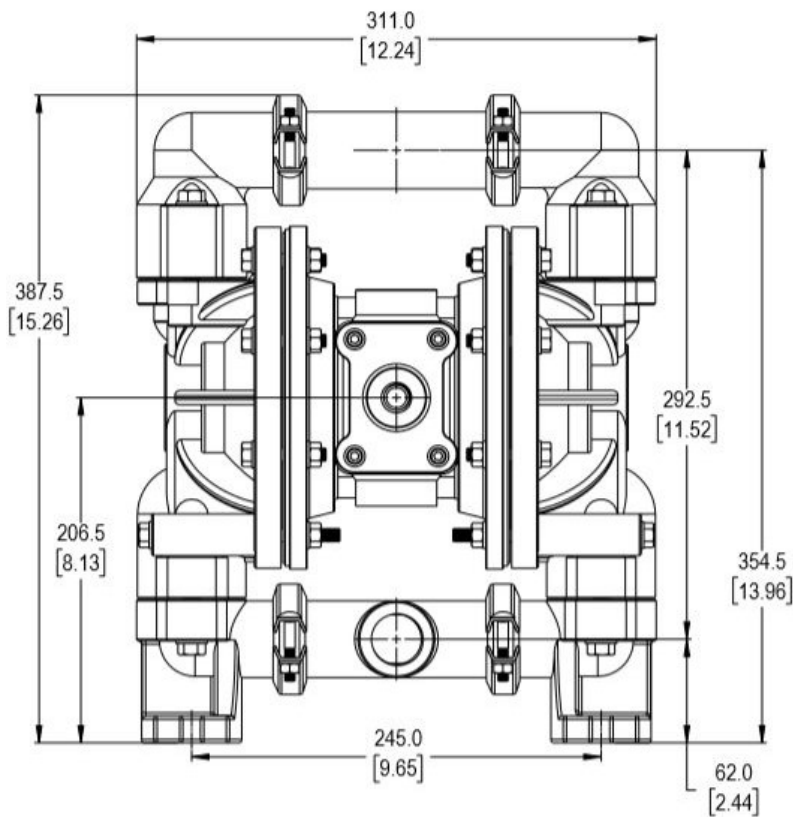
ISO 9001: 2008  
ISO 14001: 2004

[pricepumps.co.in](http://pricepumps.co.in)

## SECTION 4 – DIMENSIONAL DRAWING

1" PVDF PUMP

AOD 300/KKGG/TEF/TF/P/V





# AIR OPERATED DOUBLE DIAPHRAGM PUMPS



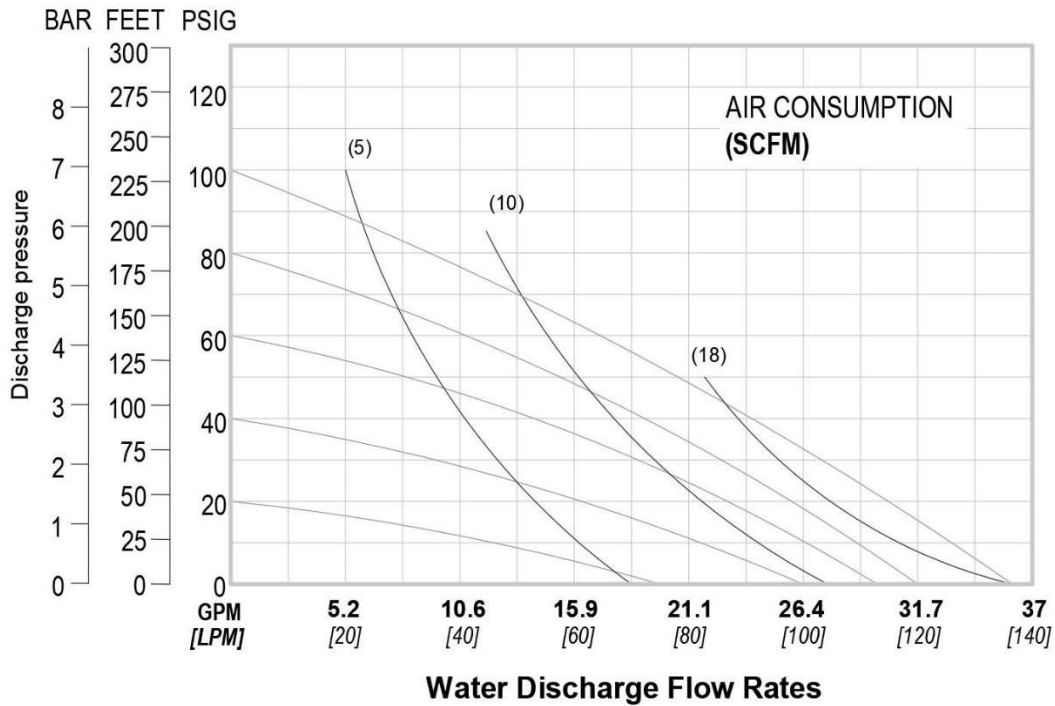
ISO 9001: 2008  
ISO 14001: 2004

pricepumps.co.in

## SECTION 5 – SPECIFICATION & PERFORMANCE

1" PVDF PUMP

AOD 300/KKGG/TEF/TF/P/V



### SPECIFICATIONS:

MAX FLOW RATE:	135 Lpm (36 gpm)
MAX AIR PRESSURE:	120 psi (8.3 bar)
AIR INLET:	9.5 mm (3/8" BSP)
PORT INLET:	25 mm (1" BSP)
DISCHARGE:	25 mm (1" BSP)
SUCTION LIFT : DRY :	3.05 m (10')
WET :	4.89 m (16')
MAX PARTICLE SIZE:	(Dia) 3.17 mm (1/8")
AIR EXHAUST:	13 mm (1/2" BSP)

### SHIPPING DIMENSIONS:

HEIGHT:	440 mm (17.3")
WIDTH:	310 mm (12.2")
LENGTH:	370 mm (14.6")
WEIGHT:	16 Kgs

Price Pumps meet ISO 9001-2015, ISO 14001 & CE quality standards.



**AIR OPERATED  
DOUBLE  
DIAPHRAGM  
PUMPS**



ISO 9001: 2008  
ISO 14001: 2004

[pricepumps.co.in](http://pricepumps.co.in)

**NOTES:**